

SELECTRONIC® Tachometer/TACHSWICH™



DT9800 Series

- Read RPM Data from Magnetic Pickup or CD ignition
- No External Power Required
- Accurate to ± 1 RPM
- Easy-to-Read LCD Display
- Choose Tachometer Only Or a Tachometer With Overspeed Switch



Description

The Digital SELECTRONIC® DT9800 series features a tachometer-only and tachometer with built-in overspeed switch. These tachometers are highly accurate and dependable due to digital solid-state electronics and a quartz crystal time base. The surface-mount enclosure makes it easy to install. Tachometer power and RPM data are supplied by a magnetic pickup or capacitor discharge (CD) ignition—depending on model chosen. The RPM data is converted and displayed on a four digit, easy-to-read liquid crystal display (LCD). The LCD displays up to 9999 RPM.

The DT9803 and DT9804 are tachometer-only models. The DT9803 is powered by a magnetic pickup. The DT9804 is powered by a CD ignition.

The DT9805 and DT9806, combine a digital tachometer and overspeed switch. The DT9805 is powered by a magnetic pickup and the DT9806 is powered by a CD ignition.

Applications

- Industrial Engines
- Generator Sets
- Compressors
- Oil Field Equipment
- Marine
- Vehicles
- Farm Equipment
- Construction Equipment

Calibrating and Setting Overspeed Switches

The DT9800 series is calibrated to your engine by setting a series of calibration “rocker” switches. The switch setting is determined by the number of ring gear teeth and proper selection of the calibration code—located in the DT9800 series installation instructions.

Overspeed switches are set by adjusting rotary dials to the appropriate RPM number. Overspeed can be set from 0010 to 9990 RPM within ± 5 RPM. Overspeed switches are available on DT9805 and DT9806 models only. The overspeed switches and calibration rocker switches are accessed from the back of the tachometer.

Specifications

Input Signal Source

DT9803: 18 to 112 volts peak to peak or 3.5 to 40 Vrms.

DT9805: 18 to 112 volts peak to peak or 7 to 40 Vrms.

DT9804 and DT9806: 90 to 400 VDC, CD ignition.

Temperature Range

-4 to 158°F (-20 to 70°C).

Case Dimensions: see reverse side.

Accuracy: ± 1 RPM.

Frequency Range:

DT9803 and DT9805: 1 to 15 KHz.

DT9804 and DT9806: 3 to 666 Hz.

Overspeed Switch (DT9805 and DT9806):

S.C.R. output. Rated 5 A @ 400 VDC.

Shipping Weights (all models): 11b (.5 kg)

Shipping Dimensions (all models)

9-1/4 x 8-1/4 x 5-1/4 in.

(235 x 210 x 133 mm)

* Class I, Div. 2, Group D Hazardous Locations. Models DT9803 and DT9805 magnetic pickup powered 18 to 112 Vpp input. Models DT9804 and DT9806 used with CD ignition. Contact Murphy for details.
The equipment must be installed in a suitable enclosure accepted by local authorities.

Magnetic Pickup

Murphy offers magnetic pickups sold separately.



Pickup Models†	Total Length††	Threaded Length††	Thread Size
MP3298	3 (76)	3 (76)	5/8-18 UNF
MP7906	3 (76)	3 (76)	3/4-16 UNF
MP7905	4-1/2 (114)	4-1/2 (114)	3/4-16 UNF

†Magnetic pickups have lead wire hookups.

††Lengths are in inches and (millimeters).

How to Order

When ordering DT9800 series tachometers specify model number and options (if apply).

DT9805 -

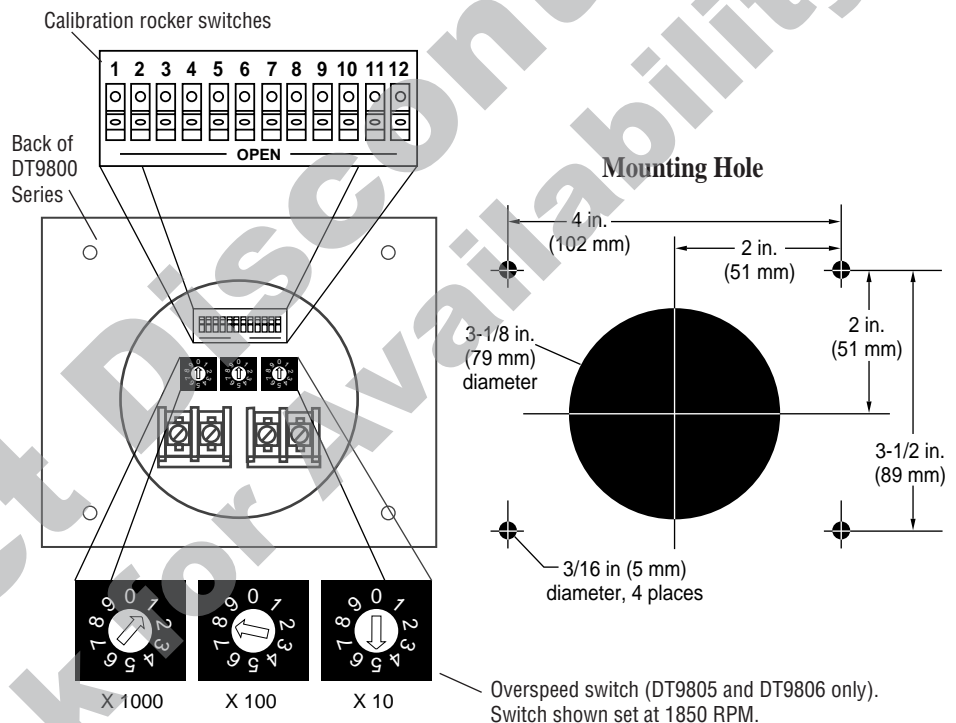
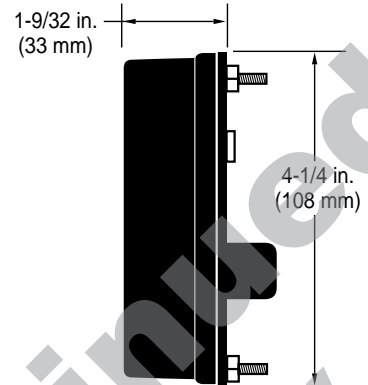
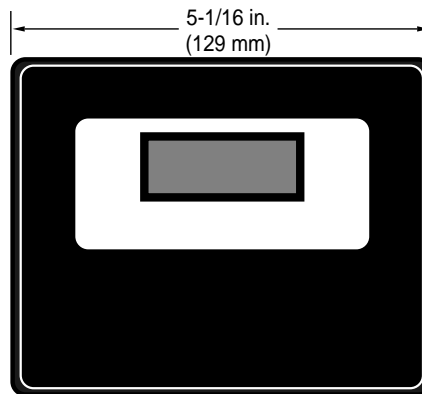
Models
DT9803
DT9804
DT9805
DT9806

Options
EX = Explosion-proof

Warranty

A two-year limited warranty on materials and workmanship is given with this Murphy product. Details are available on request and are packed with each unit.

Dimensions



In order to consistently bring you the highest quality, full featured products, we reserve the right to change our specifications and designs at any time.



■ **Frank W. Murphy Manufacturer**
P.O. Box 470248; Tulsa, Oklahoma 74147; USA
tel. (918) 627-3550 fax (918) 664-6146
e-mail sales@fwmurphy.com

■ **Frank W. Murphy Southern Division**
P.O. Box 1819; Rosenberg, Texas 77471; USA
tel. (281) 342-0297 fax (281) 341-6006
e-mail murphysd@intertex.net

■ **Frank W. Murphy, Ltd.**
Church Rd.; Laverstock, Salisbury SP1 1QZ; U.K.
tel. +44 1722 410055 fax +44 1722 410088 tlx 477088
e-mail sales@fwmurphy.co.uk

■ **Frank W. Murphy Pte., Ltd.**
No. 2 Tuas South Street 2, Sprintec Bldg., #02-01/02
Singapore 638042
tel. +65 863-1398 fax +65 863-0208
e-mail fwmsales@fwmurphy.com.sg

■ **Murpek Pty., Ltd.**
1620 Hume Highway; Campbellfield, Vic 3061; Australia
tel. +61 3 9358-5555 fax +61 3 9358-5558
e-mail murphy@macquarrie.com.au

■ **Murphy de México, S.A. de C.V.**
Blvd. Antonio Rocha Cordero 300, Fracción del Aguaje
San Luis Potosí, S.L.P.; México 78384
tel. +52-48-206264 fax +52-48-206336
e-mail murmexsl@sanluis.podernet.com.mx

■ **Murphy Switch of California**
P.O. Box 900788; Palmdale, California 93590; USA
tel. (805) 272-4700 fax (805) 947-7570
e-mail sales@murphyswitch.com

■ **Frank W. Murphy France**
tel. +33 1 30 762626 fax +33 1 30 763989