

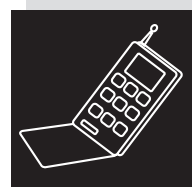
# Does Run Time Matter To You?

## Not to worry!

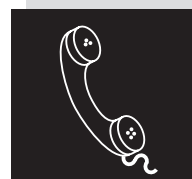
# THE MURPHY AUTO-DIALER

## Calls You Immediately When Alarms and Shutdowns Occur

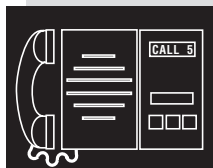
This new communications feature is simply the CB-32 Call Out Box interfaced with the MARK III Digital Fault Annunciator through a BCD communications port. In the event of an alarm or shutdown condition, the CB-32 calls multiple telephone numbers providing pre-recorded digitized speech messages. The multiple number dial-out feature is ideal when a busy signal is received. Murphy Auto-Dialer also gives you the ability to call and check by a touch-tone telephone and listen to site conditions.



CELLULAR



PHONE



ANSWERING  
DEVICE

CB-32 Call Out Box



MARK III

Typical  
Murphy Panel  
with Auto-Dialer



ISO 9001 Registered



USA-ISO 9001 FM 28221  
UK-ISO 9002 FM 29422

Call or Fax Today for Your Murphy AUTO-DIALER

Home Office: P.O. Box 470248; Tulsa, Oklahoma 74147 USA; Tel. (918) 627-3550 Fax (918) 664-6146

Southern Division: P.O. Box 1819; Rosenberg, Texas 77471 USA; Tel. (281) 342-0297 Fax (281) 341-6006

Automation Division: Tel. (918) 266-1313 Fax (918) 266-1837

### Special Features

-  Gives Alarm or Shutdown of Up to 32 Sensors
-  Alarm Acknowledgement From Dial Out
-  Calls Up to 8 Phone Numbers
-  Dial Out Delay Time Programmable—Up to 1 Hour
-  Repeats Alarm Call—10 Times Maximum
-  Programmable Waiting Between Alarm Calls
-  Provides 255 Alarm Calls per Each Input
-  Programmable Alarm Recognition Time
-  Onboard Clock Tells Time of Alarm
-  Retains Memory After Power Is Off
-  Keypad Lock—Password Controlled
-  Unique ID Number Identification
-  TAD (Telephone Answering Device)

## Auto-Dialer Specifications

### CB-32 Call Box

**Power Consumption:** 12 V @ 235 mA ±10%.

**Call Box Operating Temperature:** -20 to 150°F (-29 to 66°C).

**Call Progress:** Knows when alarm call has been answered or busy.

**Monitoring Capabilities:** 32 Sensors, manual override, power and sound.

**Dialout Phone Numbers:** 8 numbers, 32 digits.

**Call Delay:** Waiting period for unit to report alarm (0-3600 sec.).

**Voice Repetitions:** Number of times alarm is announced (0-10).

**Intercall Time:** Waiting period between phone calls (10-3600 sec.).

**Maximum Number of Calls:** Number of calls per alarm (0-255).

**Alarm Recognition Time:** Sound and Power only.

**Alarm Disable:** Disables alarm from dial out (Sound and Power only).

**Onboard Clock:** Yes.

**Listen Time Sound:** Call in time to listen for sound (0-255 sec.).

**Non-Volatile Memory:** Holds program data while power is off.

**Rings Until Answered:** Rings until phone picks up (0-15).

**Keypad Lock:** Password control.

**ID Number:** Unique identification.

**TAD:** Telephone answering Device.

**Tone/Pulse and Mute:** (no local annunciation): Yes

### CBR-24/12 Call Box Regulator (see Optional Equipment)

### MARK III Series Digital Fault-Annunciator

**Power Consumption:** 700 µa, 100 VDC.

**Power Inputs (Operating Voltages):**

MARK III-N: 90-250 V, CD ignition, negative ground.

MARK III-12/24: 12-24 VDC @ 4.7 watts max. including 2 external-ly operated relays.

**Sensor Inputs:** 32 sensor switches, N.O. or N.C., passive switches.

Inputs 1-30: Designated as Class "A" sensors.

Inputs 1-9: Can be selected as Class "B" sensor lockouts.

Input 9: 20 sec. Delayed unless selected as Class "B" lockout.

Input 31: Overrides test timer, (typically for Remote stop input).

Input 32: Overrides test timer dedicated for overspeed sensing.

**Outputs (all models):** Field Effect Transistor; 0.5 amp @ 250 V max.

**Note:** MARK III-12/24 outputs switch "ON" for normal operation; operation can be reversed in field.

**Sensor Terminal Block:** Four Plug-in terminals with screw type connections and factory installed jumper for each terminal.

**MARK III Operating Temperature:** -40 to 185°F (-40 to 85°C).

**Storage Temperature:** -40 to 302°F (-40 to 150°C).

**Case:** Anodized aluminum.

**Multiplexer Scan Rate:** 0.75 seconds.

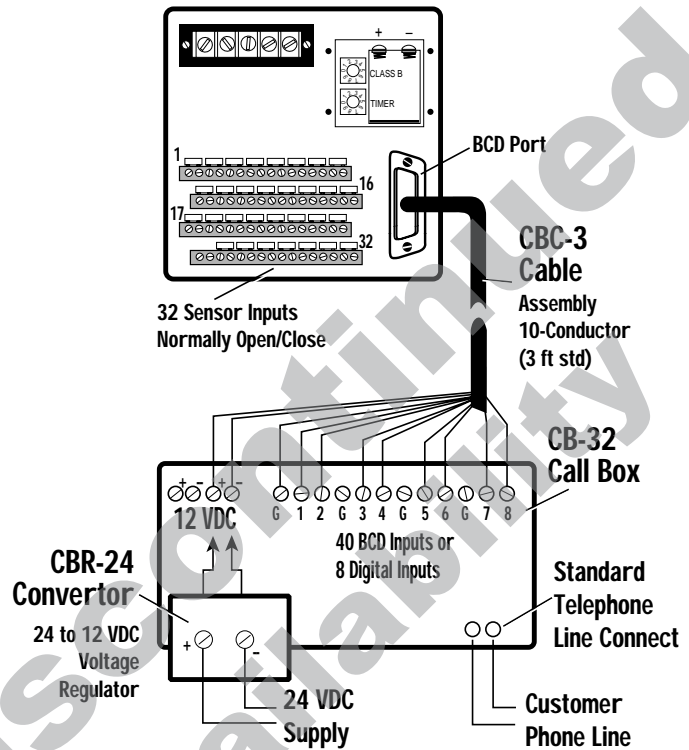
**Start-Run/Test Time:** Selectable, 1-9 minutes (1 min. increments).

**Backup Power (All models):** On-board 6 VDC @ 1300 mAh.

Battery: Duracell® DL223A Lithium.

## Communications System Schematic

### MARK III-N or Mark III-12/24 with BCD Communications Port



**The AUTO-DIALER feature can be specified within your complete control panel.** (Intended for mounting in a weatherproof panel.)

**The Auto-Dialer consists of the following components:**

**CB-32†:** Call Out Box for 12 VDC power supplies.

**MARK III-12/24\*:** 32-sensor Digital Annunciator for 12/24 VDC systems.

**CBC-3\*:** 10-conductor cable assembly, 3 feet [1 m] long (specify other lengths in 1 foot increments [30 cm]).

**Optional Equipment:**

**CBR-24\*:** 24 to 12 VDC voltage regulator. Power Output: 300 W. Efficiency: 83%.

**MARK III-N\*:** 32-sensor Digital Fault-Annunciator for Negative ground Ignition systems 90-250 VDC.

## Limited Warranty

\* A two Year limited warranty on materials and workmanship is provided with these Murphy products. Details are available on request and are packed with each unit.

† A One year limited warranty is provided with this product.

Details are available on request and are packed with each unit.